



Steel Crawler Track Undercarriage

BONNY HYDRAULICS can offer the Steel Crawler Track Undercarriage with payload ranges from 1000 kgs to 80,000 kgs. We can offer high quality Steel Crawler Track Undercarriage for drilling machines (core drill, horizontal directional drilling rig, belt engineering drill, and engineering rig), engineering machines, mining, colliery, agricultural and gardening machines based on customer requirements.

Since the establishment of Bonny, we keep the whole world in view and blaze steadily new trails. By now, we have developed various Custom Built steel Tracked Undercarriage and the load capacity is from 0.5 ton to 80 ton. Meanwhile, we have a lot of experience engineers who can provide you technical support and technical consultancy to meet your needs.

Product Description

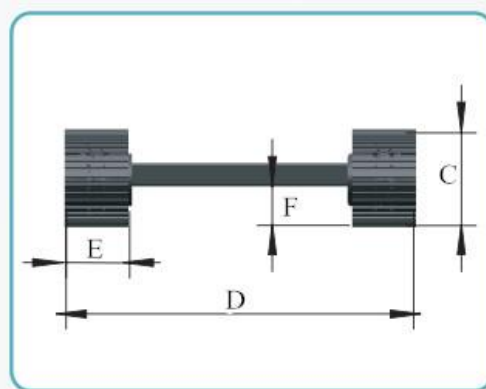
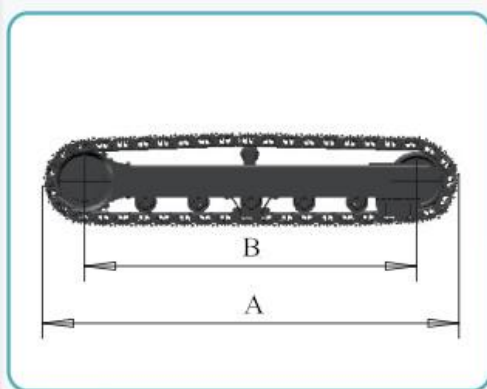
Features of Custom Built Steel Crawler Track Undercarriage

1. Adopt steel tracks or .steel tracks and block rubber.
2. The track motor can be fixed displacement or variable displacement concealed planetary gearbox and hydraulic motor, such as Nabtesco (Japan), Brevini (Italia). If you need, we can also provide track motor made by our own factory.
3. The beam is made of Q345B with high loading capacity.
4. It can also be designed and manufactured on customers' request.
5. It is widely applied in all kinds of large drilling rig, excavator, paver, Aerial Working Platform and construction engineering machines.

Technical parameters of Steel Crawler Track Undercarriage

| MODEL | Dinamic capacity | Static capacity | Weight kg. | Press. Bar | oil flow L/min | Torque Nm to engine | Grad. | Speed km/h |
|-------|------------------|-----------------|------------|------------|----------------|---------------------|-------|------------|
|-------|------------------|-----------------|------------|------------|----------------|---------------------|-------|------------|

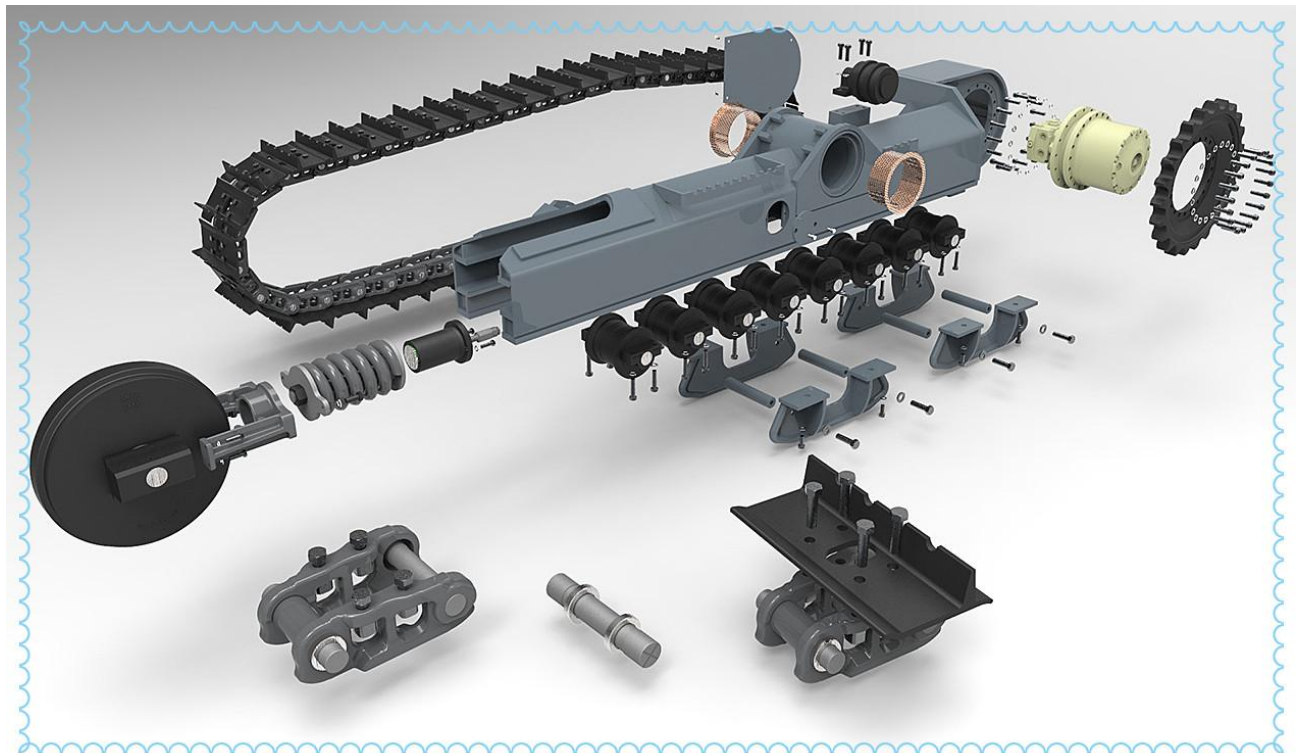
| | | | | | | | | |
|-----------|-------|-------|------|-----|-----|-------|-----|---------|
| ST-3500 | 3500 | 4000 | 750 | 220 | 35 | 4723 | 65% | 2/3.2 |
| ST-6000 | 6000 | 7000 | 1350 | 220 | 55 | 8330 | 65% | 2/3.7 |
| ST-8000 | 8000 | 9500 | 1830 | 300 | 82 | 11700 | 65% | 2.8/4.7 |
| ST-10000 | 10000 | 11300 | 2350 | 350 | 100 | 14800 | 65% | 3/5.1 |
| ST-12000 | 12000 | 15000 | 2950 | 350 | 124 | 22500 | 65% | 2.9/4.9 |
| ST--15000 | 15000 | 18000 | 3300 | 350 | 140 | 24000 | 65% | 3.2/5.5 |
| ST-20000 | 20000 | 25000 | 4300 | 350 | 220 | 38000 | 65% | 3.5/5.4 |
| ST-30000 | 30000 | 37000 | 6500 | 330 | 260 | 59000 | 65% | 2.5/4.6 |
| ST-40000 | 40000 | 48000 | 7100 | 350 | 290 | 72800 | 65% | 2.3/4.3 |



| MODEL | A Length | B Center | C Height | D Total | E Width of | F Height of | No. of |
|-------|-------------|-------------|-------------|------------|---------------|----------------|-----------|
|-------|-------------|-------------|-------------|------------|---------------|----------------|-----------|

| | | Distance | | Width | track shoe | Cross beam | roller |
|----------|------|----------|-----|-------|------------|------------|--------|
| ST-3500 | 2030 | 1500 | 485 | 1800 | 300 | 225 | 4+4 |
| ST-6000 | 2467 | 1950 | 549 | 1700 | 300-400 | 240 | 5+5 |
| ST-8000 | 2783 | 2265 | 548 | 1800 | 400-450 | 255 | 8+8 |
| ST-10000 | 3800 | 3200 | 600 | 1700 | 400-500 | 280 | 9+9 |
| ST-12000 | 3282 | 2575 | 720 | 2000 | 400-600 | 345 | 9+9 |
| ST-15000 | 3666 | 2923 | 753 | 2000 | 500-800 | 360 | 8+8 |
| ST-20000 | 4065 | 3323 | 786 | | 500-800 | 375 | 8+8 |
| ST-30000 | 4530 | 3730 | 836 | | 500-800 | 405 | 9+9 |
| ST-40000 | 4888 | 4090 | 880 | | 500-800 | 420 | 10+10 |

Structure of Steel Crawler Track Undercarriage



Type of Steel Crawler Track Undercarriage for selection:

- A. Steel track undercarriage;
- B. Rubber track undercarriage;
- C. Steel track undercarriage with rubber pads



Application of Steel Crawler Track Undercarriage

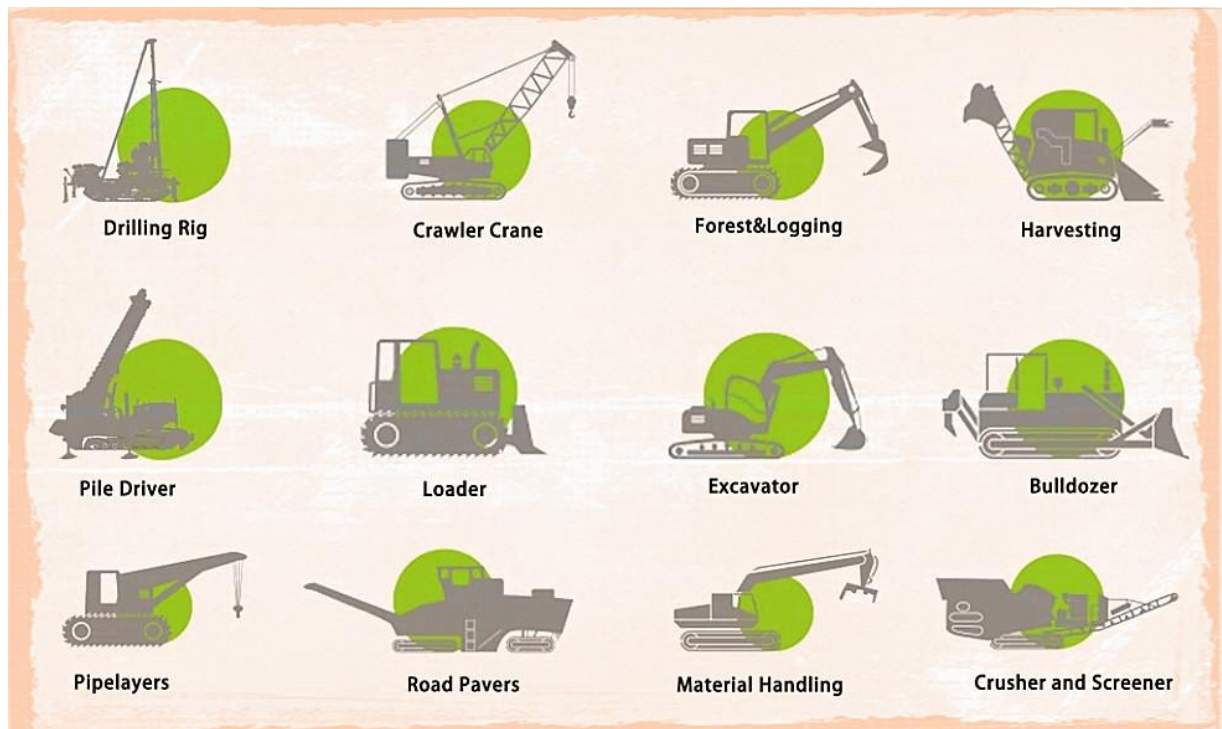
Drilling machine: Anchor drilling rig, water well drilling rig, core drilling rig, Jet drilling rig, down-hole drilling rig, hydraulic crawler drilling rig, for poling rig, multipurpose drilling rig, no-dig drilling rig, etc.

Construction machinery machine: mini excavator, mini pilling machine, Aerial work platform, Small transport loading equipment, etc.

Coaling machine: slag-raking machine, tunnel drilling rig, hydraulic drilling machine, rock loader, etc

Mining machine: mobile crusher, heading machine, conveying equipment, etc.

Agriculture machine: Sugar cane harvester, lawn mower, compost turner, ditching machine, etc



Package of Steel Crawler Track Undercarriage



1.Wrap the undercarriage with wrapping film



2.Then equip it with the steel pallet

Strict Quality Control

